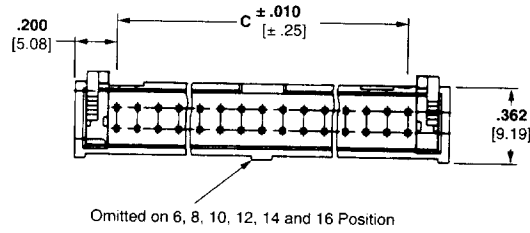


Low Profile Headers—Shrouded with Ejection Latches and .150 [3.81] End Dimension, Double Row, .100 x .100 [2.54 x 2.54] Centers, .102 [2.59] Solder Tail

**.025 [0.64] Square
Straight Post**



Material and Finish:

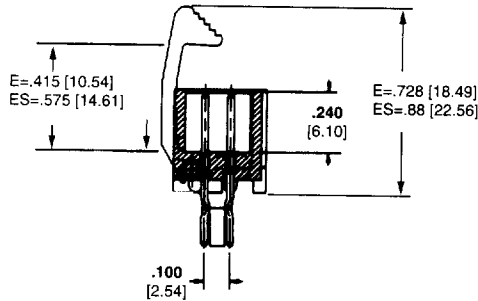
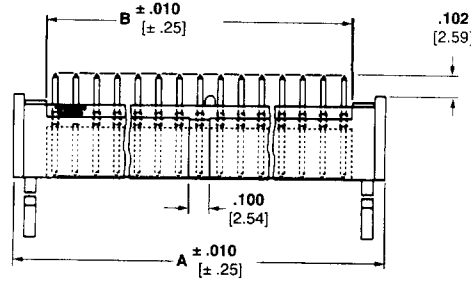
Housing—94V-0 rated glass reinforced thermoplastic, blue

Contacts—Phosphor bronze, plated .000030 [0.00076] min. gold over .000050 [0.00127] min. nickel .025 sq. pin w/coined edges

Related Product Data:

Electrical Characteristics—page 4007

Mateable Connectors:
Pages 4008 thru 4010



501 - XX XX

of Positions
Tail Style

E (Ejector)
ES Ejector for Strain Relief

Note: PCB retention version available. Consult Tyco Electronics

No. of Positions	Dimensions			Part Numbers
	A	B	C	
6	.600 15.24	.280 7.11	.200 5.08	501-0627XX
10	.800 20.32	.480 12.19	.400 10.16	501-1027XX
12	.900 22.86	.580 14.73	.500 12.70	501-1227XX
14	1.000 25.40	.680 17.27	.600 15.24	501-1427XX
16	1.100 27.94	.780 19.81	.700 17.78	501-1627XX
20	1.300 33.02	.980 24.89	.900 22.86	501-2027XX
24	1.500 38.10	1.180 29.97	1.100 27.94	501-2427XX
26	1.600 40.64	1.280 32.51	1.200 30.48	501-2627XX
30	1.800 45.72	1.480 37.59	1.400 35.56	501-3027XX
34	2.000 50.80	1.680 42.67	1.600 40.64	501-3427XX
36	2.100 53.34	1.780 45.21	1.700 43.18	501-3627XX
40	2.300 58.42	1.980 50.29	1.900 48.26	501-4027XX
50	2.800 71.12	2.480 62.99	2.400 60.96	501-5027XX
60	3.300 83.82	2.980 75.69	2.900 73.66	501-6027XX
64	3.500 88.90	3.180 80.77	3.100 78.74	501-6427XX

Note: Before ordering, see Cross Reference in Section 15 for equivalent Tyco Electronics Part Number.



Ribbon and Flexible Flat Cable Products